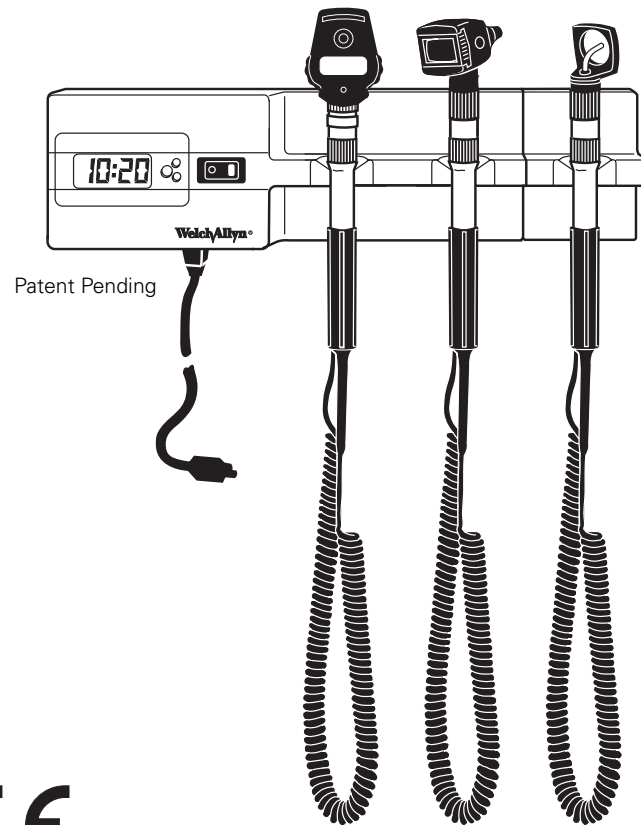


# WelchAllyn®

## 767 Diagnostic System

3.5v 767 Wall Transformer



CE

Listed to:  
UL 60601-1  
CSA C22.2 No. 601

# WelchAllyn®

Thank you for purchasing the Welch Allyn 3.5v 767 Wall Transformer. This manual is meant to provide product specifications and instructions for usage and maintenance. The instructions for use should be followed to ensure accurate and reliable service.

The 3.5v 767 Wall Transformer carries a lifetime warranty against all manufacturing defects. **The coiled cords carry a special 10 year warranty against breakage during normal usage.**

# Table of Contents

Warnings .....	1
Avertissements .....	1
Mounting Instructions .....	2
Operation .....	3
Operating Instructions .....	4
Clock Option .....	5
Mounting the Third Handle Module .....	7
Maintenance .....	8
Cleaning and Repair .....	8
Specifications .....	9



## Warnings

---



USE HOSPITAL-GRADE POWER INLET CORD ONLY.



REPLACE CLOCK BATTERY AS INSTRUCTED WITH Maxell 43 OR EQUIVALENT BATTERY.



GREEN PILOT LIGHT INDICATES THAT THE POWER MAINS IS CONNECTED TO APPLIANCE.



USE THIRD HANDLE MODULE (MODEL #76730) WITH WELCH ALLYN 3.5v 767 WALL TRANSFORMER ONLY.



SERVICE TO BE PERFORMED BY AUTHORIZED WELCH ALLYN REPAIR DEPARTMENT ONLY.



FUSE REPLACEMENT – TYPE T250, 250v SLOW BLOW 0.20 AMPERE (SHOULD BE REPLACED ONLY BY AUTHORIZED WELCH ALLYN REPAIR DEPARTMENT).



CAUTION: DISCONNECT THE SYSTEM FROM THE MAINS SUPPLY BEFORE CONNECTING THE THIRD HANDLE (MODEL #76730).



THIS PRODUCT IS DESIGNED FOR INTERMITTANT USE, TYPICAL ON-TIME SHOULD NOT EXCEED 2 MINUTES.

## Avertissements

---



N'UTILISER QUE LE CORDON D'ALIMENTATION DE QUALITE HOPITAUX.



REPLACER LA BATTERIE DE L'HORLOGE SELON LES INSTRUCTIONS PAR UNE BATTERIE MAXELL 43 OU EQUIVALENT.



LE VOYANT VERT INDIQUE QUE L'INSTRUMENT EST BRANCHE SUR L'ALIMENTATION SECTEUR.



N'UTILISER LE MODULE DE LA TROISIEME POIGNEE (MODELE NO. 6730) QU'AVEC LE TRANSFORMATEUR MURAL WELCH ALLYN 767 DE 3,5V.



ATTENTION : NE CONFIER LES REPARATIONS QU'AU DEPARTEMENT DE REPARATION AGREE WELCH ALLYN.



REPLACEMENT DU FUSIBLE – TYPE T250, 250V, A ACTION RETARDEE 0,20 AMPERES (NE LE FAIRE REPLACER QUE PAR LE DEPARTEMENT DE REPARATION AGREE WELCH ALLYN).



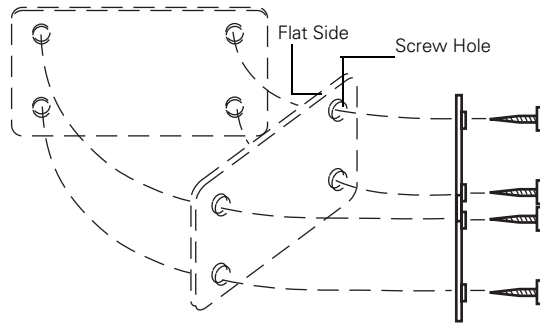
ATTENTION : DEBRANCHER LE SYSTEME DE L'ALIMENTATION SECTEUR AVANT DE RACCORDER LA TROISIEME POIGNEE (MODELE NO. 76730).



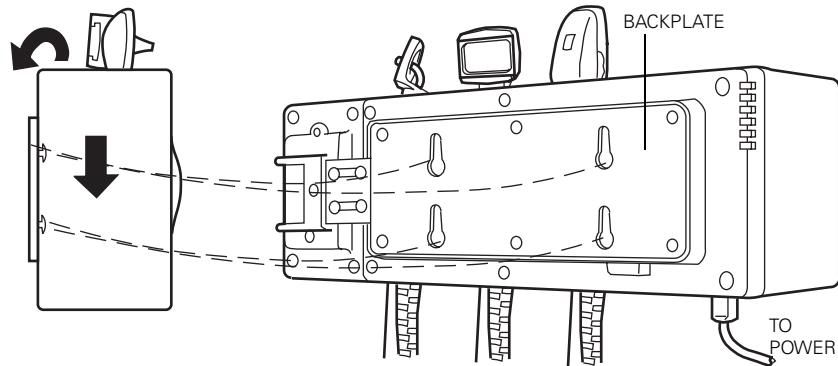
CE PRODUIT EST CONCU POUR ÊTRE UTILISÉ DE MANIÈRE INTERMITTENTE; NE PAS L'UTILISER AU DELÀ DE 2 MINUTES.

# Mounting Instructions

---

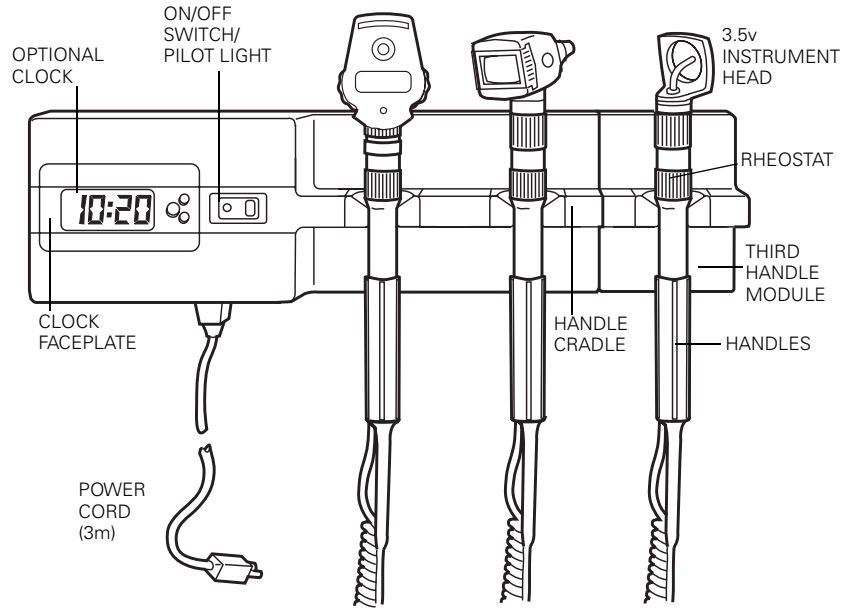


Fasten mounting plate to the wall with enclosed screws, making sure that the screw hole flanges face away from the wall and the smooth surface of the mounting plate is flush with the wall. Depending on the mounting surface, alternative screws may be needed. With the flat side of the plate on the mounting surface, level the plate as shown. Note that the plate should be mounted so that the widest portion of the plate is horizontal (as shown). When mounting screws are tightened, there will be a gap between the screw head and surface of the plate.



Mount the unit by fitting the round holes in the backplate over screw heads on the wall mounting plate, then push downward on the unit to secure it to the wall. This slides the tapered slots in the backplate over the shoulders in the mounting plate. **Plug into 108-125v, 60 Hz AC and unit is ready for use.**

# Operation



- Handles** Handles will accept any 3.5v Welch Allyn instrument head.
- Rheostat** Located on each handle. Turn clockwise to increase light output, turn counterclockwise to decrease light output.
- Handle cradle** Instrument lights automatically when handle is lifted from the cradle engaging the OptiSense™ Optical Sensor. When handle is returned to the cradle the OptiSense™ Optical Sensor is disengaged automatically turning the instrument off.
- On-off switch/pilot light** Indicates the transformer is on (power mains is applied).
- Clock** Option on this model. Refer to page 5 for operating instructions.
- Third Handle Module** Option on this model. Refer to page 7 for mounting and operating instructions.
- Power cord** Can be plugged into any **108-125v, 60 Hz** outlet.

# Operating Instructions

---

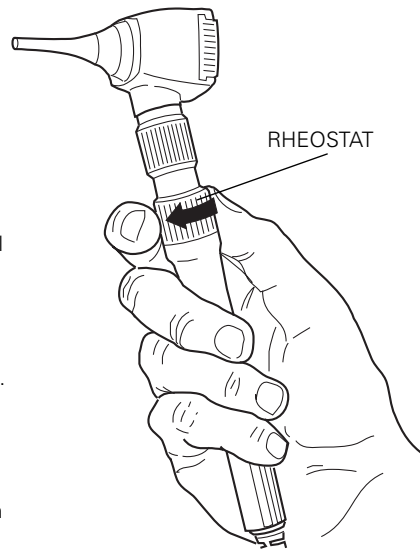
**Handles will accept any Welch Allyn 3.5v instrument head.**

After plugging power cord into any 108-125v, 60 Hz outlet, turn power switch to on position, illuminating the pilot light.

With power switch in on position, instruments will automatically light when handles are lifted from the handle cradle and the OptiSense™ Optical Sensor is engaged. Adjust rheostat on handle until desired light output is obtained. Turning rheostat clockwise increases light output, counterclockwise decreases light output. Note: Rheostat does not turn instrument completely off. Returning handle to cradle will disengage the OptiSense™ Optical Sensor and turn the instrument completely off.

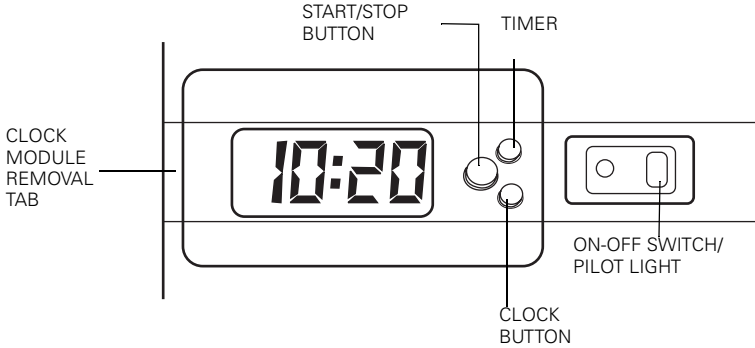
A built-in, automatic voltage regulator provides maximum illumination and lamp life.

Instruments will automatically turn off when the handle is placed back in the cradle. The Welch Allyn 767 Wall Transformer can be turned off by simply turning the power switch to the OFF position. Pilot light alone draws current when instruments are not in use. When unit is not in use for more than a few hours, turn power switch to OFF position to ensure longer operating life. Unit can remain plugged in permanently. The clock is powered by a battery and will keep time when power switch is turned off.





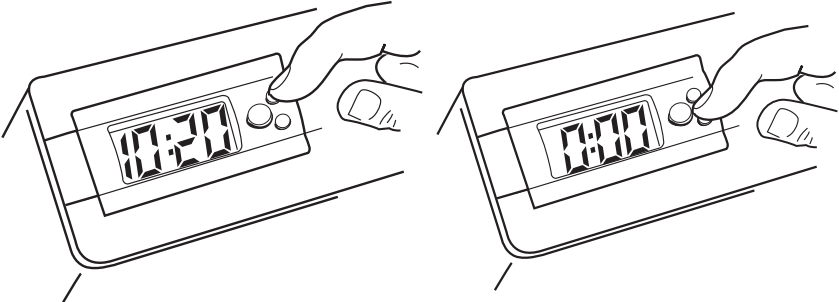
# Clock Option



- Start/Stop button** Use this button to start and stop seconds count. Press once to start the seconds. Press again to stop seconds.
- Clock button** Use this button to return from seconds mode to hour/minute by pressing once.
- Timer button** Use this button to change to seconds mode (timer).
- Clock module removal tab** Pull forward to remove clock module and gain access for changing battery.

The clock, powered by a battery, operates separately from the main power supply. For this reason the time will be displayed when the main unit is turned off or unplugged from the wall power socket.

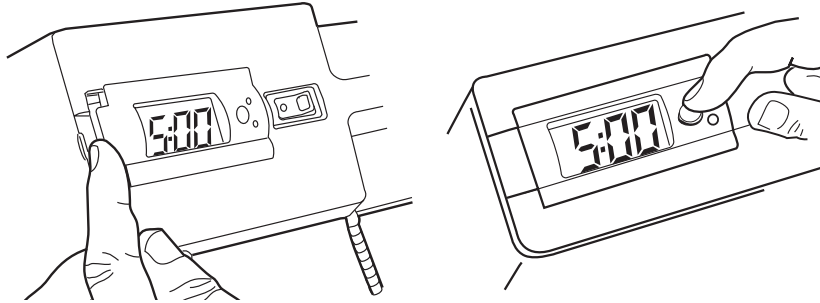
**Engage Seconds Mode:**  
Press Timer Button to engage. Press Start/Stop button to begin seconds mode. Press the Clock button to return the Hour/Minute display.



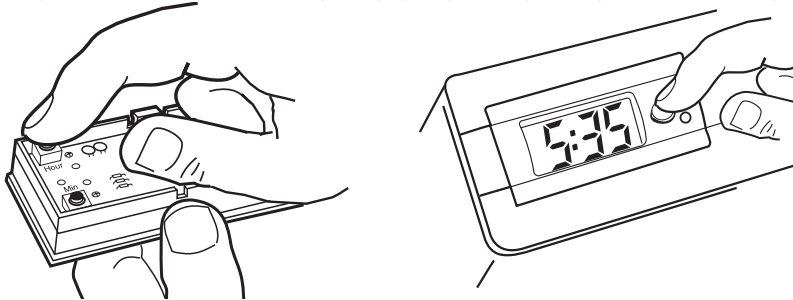
**Change Time:**

The following steps should be followed when resetting the time:

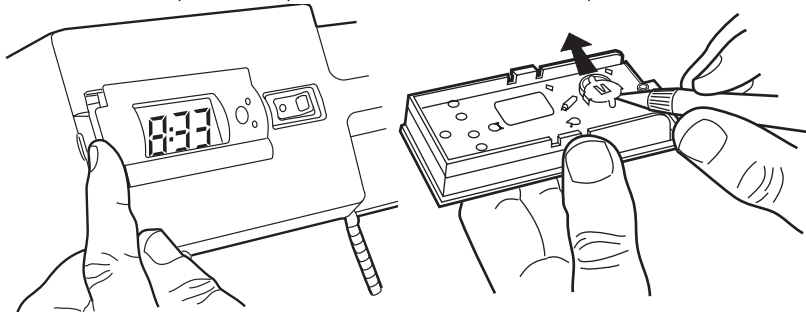
1. Remove clock module by prying the clock faceplate from unit housing.
2. With clock in clock mode, press Start/Stop button for 5 seconds until time on clock begins to flash.



3. Using Hour Set and Minute Set buttons on back of clock module, set time to correct values.
4. Press Start/Stop button again to return clock to regular operation.
5. Replace clock module into unit by lining up edges and pressing into main housing.

**Change Clock Battery:**

1. Remove clock module by prying the clock faceplate from unit housing.
2. Remove battery by pushing battery out of retaining sleeve. For best results, use a pen or pencil to pry against the faceplate housing wall.
3. Insert new battery. Welch Allyn recommends Maxell 43 or equivalent.



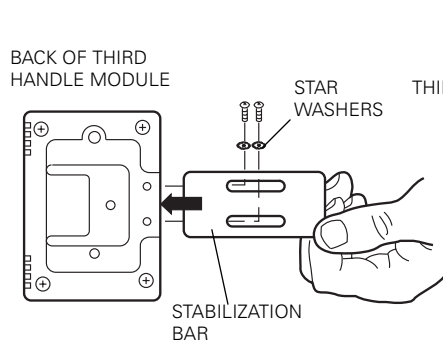
# Mounting the Third Handle Module

A Phillips screwdriver is needed to connect the Third Handle Module.

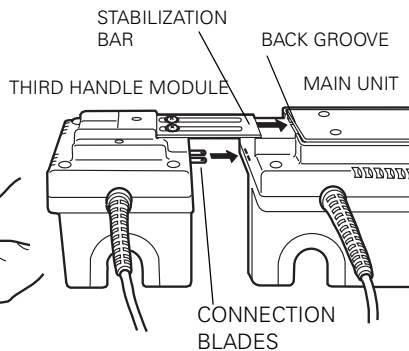
## Mounting the Third Handle Module:

1. Disconnect main unit power supply.
2. Remove main unit from the wall by lifting up and out (instructions found on page 2 of this manual).
3. Attach stabilization bar to back of Third Handle Module (as shown using two enclosed star washers and screws).

### Step 3:

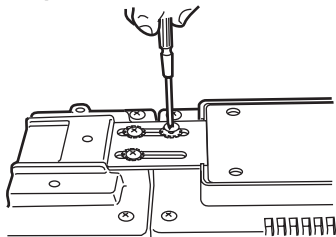


### Step 5:



4. Line up the metal stabilization bar with the groove on the back of the main unit. Also, line up the connecting blades with the blade openings on the side of the main unit housing.
5. Slide Third Handle Module into the main unit until firmly in place.

### Step 6:



6. Secure Third Handle Module in place (as shown using two enclosed star washers and screws).
7. Place unit on the wall following the instructions found on page 2 of this manual and reconnect main unit power supply.
8. Place instrument on third handle and lift from cradle. This will test for correct attachment.

# Maintenance

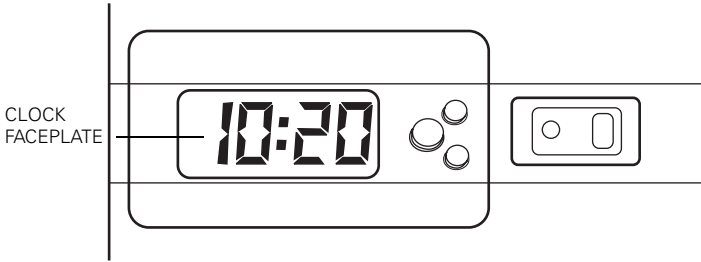
---

Like any other piece of electrical equipment, periodic electrical inspections should be performed by qualified personnel. Welch Allyn recommends inspections every six months, more often if used under adverse conditions.

# Cleaning and Repair

---

Do *not* sterilize. May be cleaned by wiping with a dry cloth. Avoid using abrasive cleaning materials on clock faceplate.



**REPAIR:**  
For all repairs, send unit to: Technical Service Department, Welch Allyn, Inc., 4341 State Street Road, Skaneateles Falls, New York 13153, or in the U.S.A. call 1-800-535-6663. Fax: 315-685-4653 (Technical Services). In Canada call: 1-800-561-8797. Fax: 905-890-0008.

## Specifications

---

Model No.	<b>76720</b>	3.5v 767 Wall Transformer (two-handle model with clock, instrument heads not included).
	<b>76710</b>	3.5v 767 Wall Transformer (two-handle model without clock, instrument heads not included),
	<b>76730</b>	3.5v 767 Wall Transformer Third Handle Module (instrument heads not included).

Power Cord:

**Input:** 108-125v., 60Hz. (0.5A @ 120V)

**Output: Model Nos. 76720, 76710 – 3.00-3.90v, .700-1.05A at 120 VAC**

Supplied with two coiled cords, two handles, and power cord.

Leakage current is less than 10 microamps from any exposed metal part.

Fuse: Replace with fuse specified on page 1 only.

**Weight:** Weight with mounting plate is 4.5 pounds (2.04kg). (NOTE: This is weight without instrument heads.)

**Dimensions:** H=4" (10.16cm) D=4" (10.16cm) W=12" (30.48cm)



Listed to UL60601-1



Certified to CSA 22.2 No.601



Certified



The CE mark on this product indicates it has been tested to and conforms with the provisions noted within the 93/42/EEC Medical Device Directive.

**Authorized European Representative Address:**

European Regulatory Manager  
Welch Allyn, Ltd.,  
Navan Business Park  
Dublin Road  
Navan, County Meath, Republic of Ireland  
Tel. +353 46 90 67700  
Fax +353 46 90 67756





# WelchAllyn®

Welch Allyn, Inc.  
4341 State Street Road  
PO Box 220  
Skaneateles Falls, NY 13153-0220  
U.S.A.  
Telephone: 800-535-6663 or  
315-685-4100  
Fax: 315-685-3361

Part No. 705219 Ver. D

Printed in U.S.A.